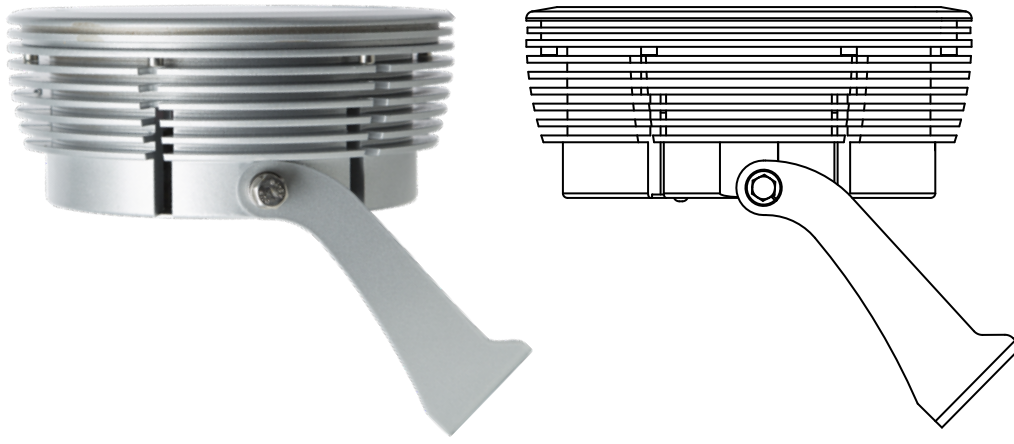
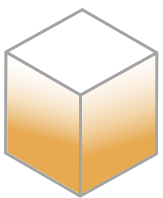


IntiBEAM

An ergonomic light fixture engineered to produce a precise and focused 5° light beam. It is versatile, suitable for highlighting vertical façade features as well as illuminating distant objects with flood lighting.



Application

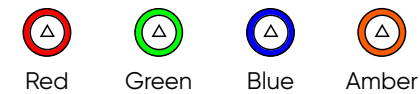


floodlight



accent

IntiBEAM



5°

CRI

≥80 (for white color)

Color Binning

2 MacAdam ellipses for white,
±3 nm for color LED

Power factor

>0,9

Voltage



230 V AC

IP66 IK10



Lifespan

not less than 50 000 hours

 → 
- 40°C + 55°C

Controls, protocols

On/Off

Materials

housing – aluminum alloy

protective glass – silicate tempered glass

bracket – zink-plated steel

metalware – stainless steel

Standard RAL colors



Standard coating type

moire

Accessories

screen

Customization

controls DALI, PWM, DMX-512, DMX-512 + RDM

connectors IP68

cable length up to 5m

power supply 12, 24, 48 V DC

light distribution curve, light color, wattage

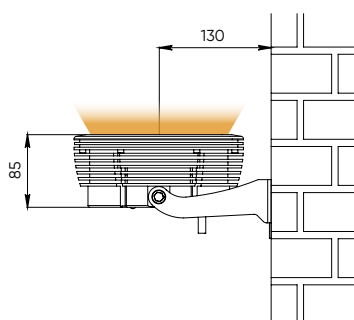
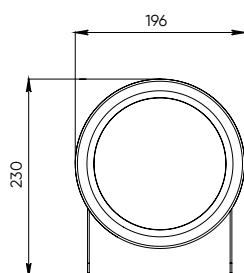
and luminous flux can be customized

for a specific project

Available custom versions



Technologies



weight, kg

4

IntiBEAM

1. Select a model

Serial code	Color	W, max	lm, max
IRF9-3	white	31	2450
	color mono	29	1100

2. Create an article number

Serial code	Color	Optics	Controls	Supply voltage*
IRF9-3	W30 W40 W50 R G B A	5	not available	H

* H – supply voltage 230 V AC

3. Select accessories

Type	Article number	Height, mm	Shape
screen	BEAM-03-100	100	angular
	BEAM-01A-100		rounded