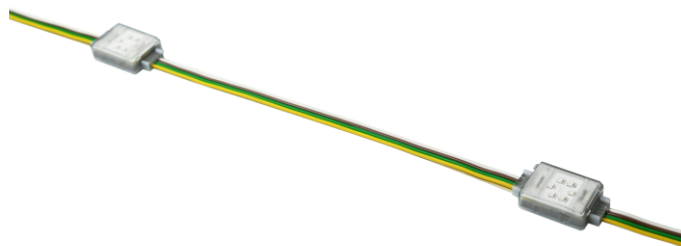


# IntiDOT

fullcolor, without diffuser



10.150-IMF6-0,3FC-120CL24

20	200
30	300
40	400
50	500

Application: media facade system

Light source: Nichia (Japan) fullcolor LEDs

Light color: fullcolor

Optics: 120° (without diffuser)

Power input (1 dot/50 dots): 2 W / 81 W

Luminous flux (1 dot/50 dots): 48 lm / 2400 lm

Voltage: 24 V DC

Control: DMX-512

Protection class: IP65

Operating temperature: -40°C ... +45°C for standard model, -40°C ... +55°C for tropic edition

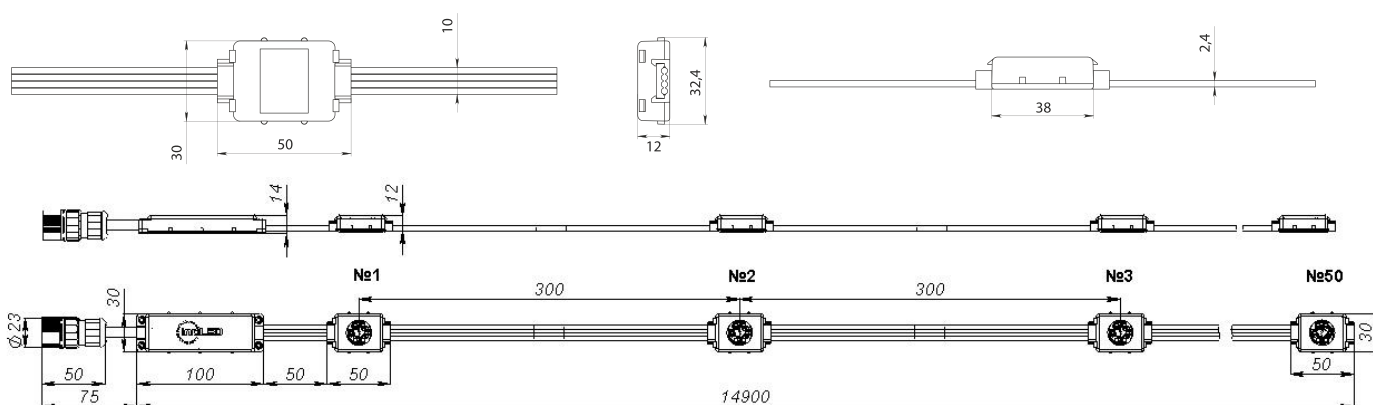
Lifespan: no less than 50000 hours

Warranty: 3-5 years

Mounting: surface mounting or installation into the profile

Weight (50 dots): 1,5 kg

Customization: number of dots (1-50), distance between dots (200 - 500mm), extension cable (from DMX-SPI Converter) up to 10m (depending on the project), electrical conduit, painted in a color similar to that of the facade (depending on the project), individual attachment point, monochrome controlled version



# IntiDOT

fullcolor, without diffuser

## TECHNICAL SPECIFICATION

Luminaire name	Luminous flux, lm	Power input, W
IntiDOT-10.150 IMF6-0,3FC-120CL24 200 300 400 500	480	16
IntiDOT-20.150 IMF6-0,3FC-120CL24 200 300 400 500	950	32
IntiDOT-30.150 IMF6-0,3FC-120CL24 200 300 400 500	1450	48
IntiDOT-40.150 IMF6-0,3FC-120CL24 200 300 400 500	1900	65
IntiDOT-50.150 IMF6-0,3FC-120CL24 200 300 400 500	2400	81

## N.L-IMF6-0,3FC-120CL24

**N** - number of dots: 10, 20, 30, 40, 50 pcs.

**L** - distance (mm) between dot's centers: 150, 200, 300, 400, 500 mm