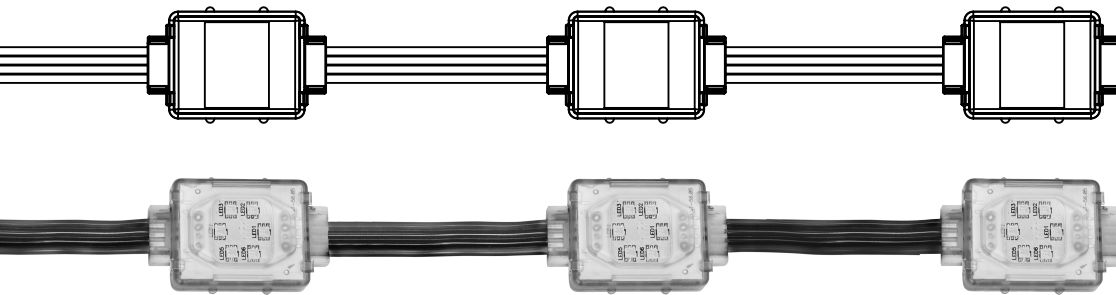
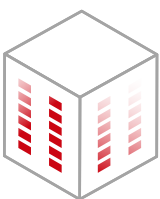


IntiDOT

Specifically engineered for constructing media façades, this system is controlled via the standard DMX-512 protocol. The high brightness of each individual point enables the creation of dynamic media façades for high-rise structures and buildings visible from significant distances.



Application



media façade

IntiDOT



fullcolor
(multichip RGB)



120°



180°

Voltage

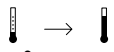
24 V DC

IP67 IK07



Lifespan

not less than 50 000 hours



- 40°C + 55°C

Controls, protocols

DMX-512

Controls, pixel size

1 luminaire – 1 pixel

1 string – from 1 to 50 pixels

Materials

housing – polycarbonate with UV stabilizer

diffuser – light-diffusing polycarbonate with UV stabilizer

Accessories

diffuser RV20.4

supporting profile cable channel

profile-cover cable channel

Customization

controls DMX-512 + RDM

pixel spacing and number of pixels can be

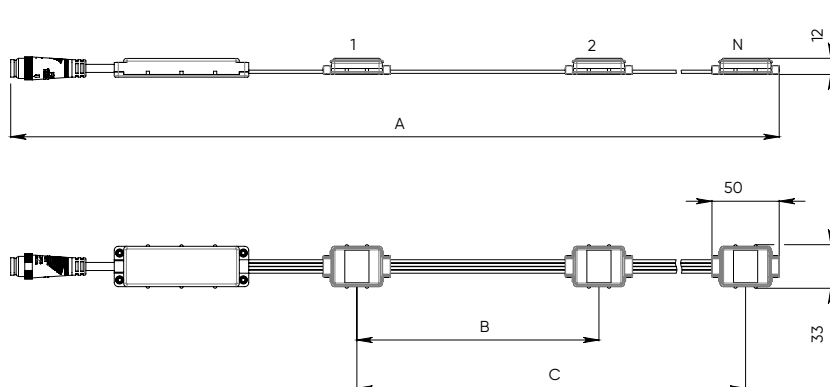
customized for a specific project

tunable white (TW) version

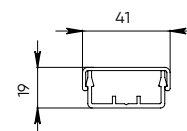
product length, wattage and luminous flux

can be customized for a specific project

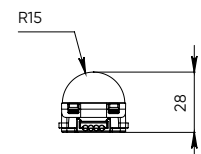
Technologies



cable channel



diffuser



	min	max
N, pcs	1	50
A, mm	250	25 250
B, mm	150	500
C, mm	150	25 000
weight, kg	0,2	2

IntiDOT

1. Select a model

Serial code	Optics*	W, max	lm, max
IntiDOT-10.	120	16	520
	180	16	390
IntiDOT-20.	120	32	1040
	180	32	780
IntiDOT-30.	120	48	1560
	180	48	1170
IntiDOT-40.	120	64	2080
	180	64	1560
IntiDOT-50.	120	80	2600
	180	80	1950

*120 – without diffuser RV20.4
180 – with diffuser RV20.4

2. Create an article number

Luminaire		Number of pixels	Spacing between pixels, mm	Serial code	Color		Optics	Controls*	Supply voltage**
IntiDOT	–	10. 20. 30. 40. 50.	150 200 300 400 500	IMF6-0,3	FC	–	120 180	C	L24

* C – protocol DMX-512

**L24 – supply voltage 24 V DC