

IntiSTARK
big-block
INTILED



IntiSTARKbb SPECIFIC DESCRIPTION

I N T I L E D

Super-powerful and multifunctional floodlight system for dynamic illumination of large sites, such as television towers, high-rise buildings, bridges and monuments



IntiSTARKbb SPECIFIC DESCRIPTION

INTILED

Unique mounting arm for flexible adjustment

A multitude of options in terms of positioning LED clusters in relation to each other ensure high flexibility of the luminaire



Wide range of color options

Standard monochrome and RGB/RGBW versions are available along with custom configurations with additional channels of white light and any LED color combinations



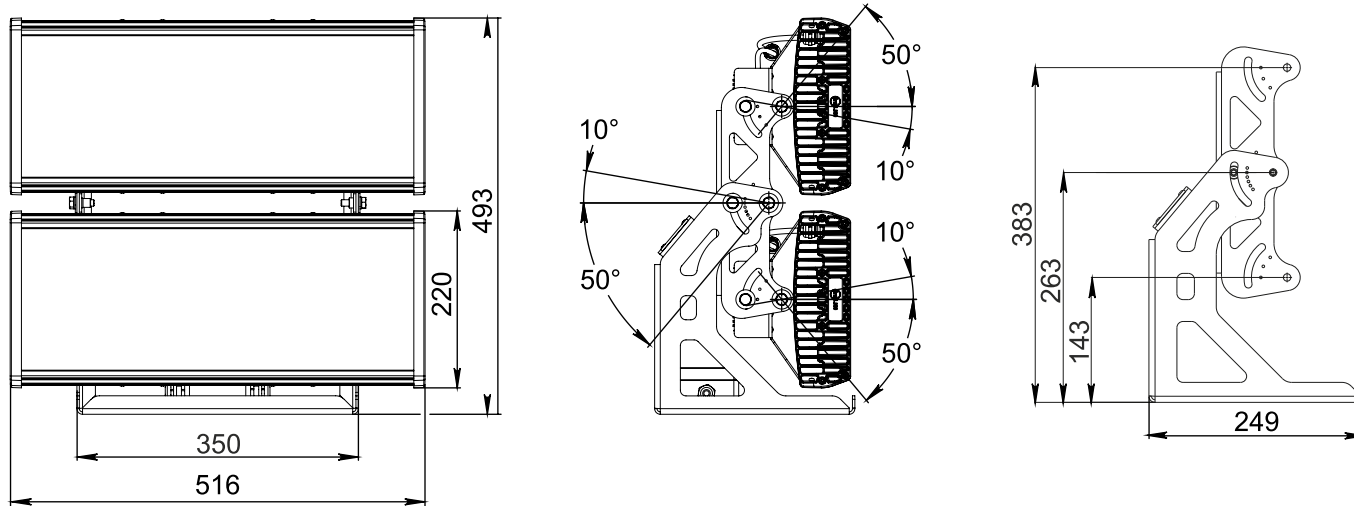
Universal connectors of high protection grade

Universal connectors provide quick installation and reliable connection. Available with IP68 connectors

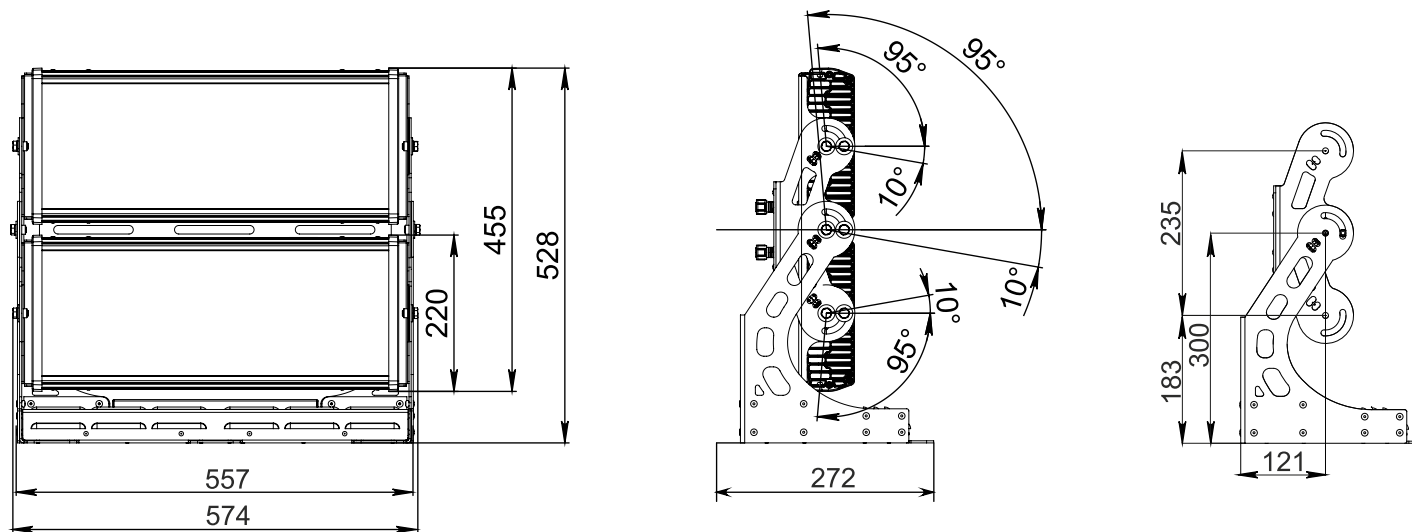


Light source	Nichia (Japan), Cree (USA) LEDs
Light color	white (3000 K, 4000 K, 5000 K), RGBW
Optics	10°, 30°, 10α30°, 10x50°, 60°, 80°
Luminous flux	14 750 - 27 350 lm
Wattage	321, 372 W
Voltage	90-264 V AC
Protection class	IP66
Operating temperature	tropical edition: -40°C ... +55°C standard edition: -40°C ... +45°C
Lifespan	not less than 50 000 hours
Control	mono: not available RGBW: DMX-512
Dimensions	mono: 516x249x493 mm RGBW: 574x272x527 mm
Weight	22, 27 kg
Mounting	on a multifunctional bracket with flexible adjustment
Customization	customized LEDs color combinations; control/power cables of any length; housing and accessories painting in any RAL color; production of customized accessories; IP68 connectors; control: PWM

IntiSTARK big-block white color luminaire dimensional drawing



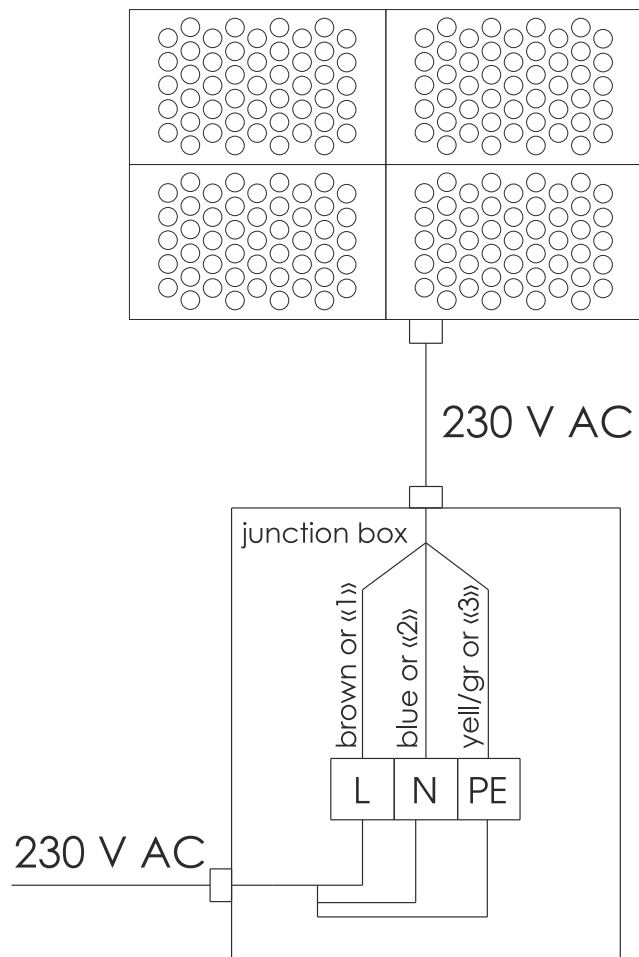
IntiSTARK big-block color dynamic luminaire dimensional drawing



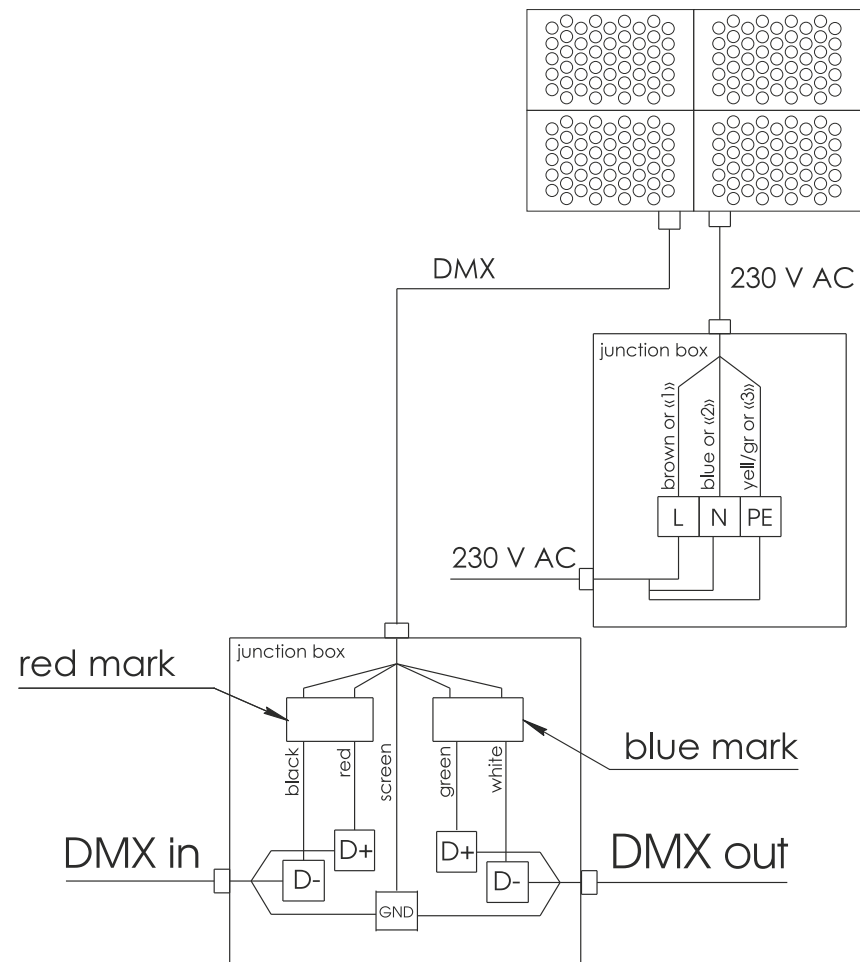
IntiSTARK bb CONNECTIONS DIAGRAM

I N T I L E D

IntiSTARK bb white color luminaire connections diagram



IntiSTARK bb dynamic color luminaire connections diagram



PORTFOLIO

I N T I L E D

"Gazprom Arena" Stadium
Saint-Petersburg





more information available
on the website