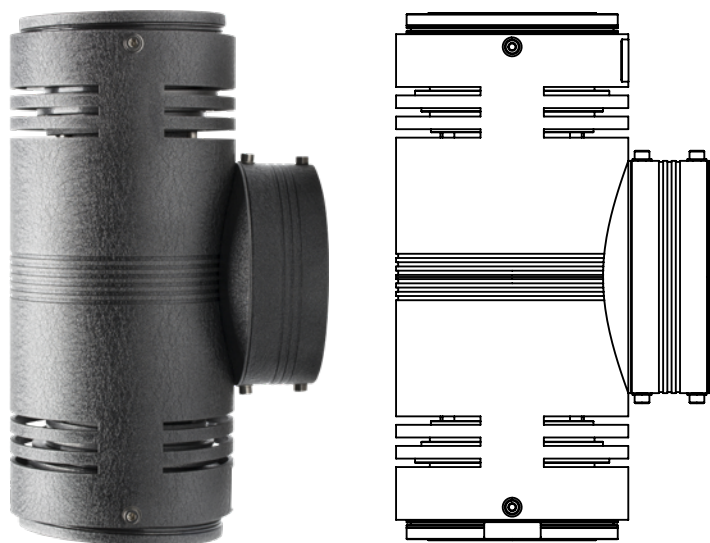
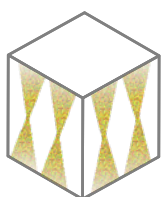


IntiTWIN

A unique product that allows to create a variety of lighting effects by adjusting the angle of LED modules, as well as the possibility of combining narrow and wide beams in one body (by installing different optics in LED modules).

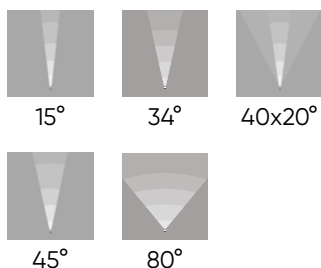


Application



accent

IntiTWIN



CRI
≥80 (for white color)

Color Binning
2 MacAdam ellipses for white,
±3 nm for color LED

Voltage
24 V DC

IP66

Lifespan
not less than 50 000 hours

- 40°C + 55°C

Controls, protocols
PWM

Controls, pixel size
1 luminaire – 1 pixel

Materials
housing – aluminum alloy with galvanic coating
protective glass – shock-resistant polycarbonate
brackets – zinc chrome-plated steel covered with powder
paint to fit the housing color
mounting plate – stainless steel

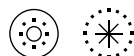
Standard RAL colors



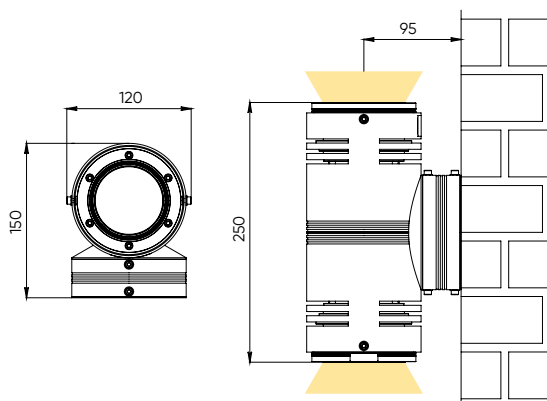
Standard coating type
moire

Customization
controls: DMX-512
connectors IP68
light color, wattage and luminous flux customized
for a specific project

Available custom versions



Technologies
∞



weight, kg
2,8

IntiTWIN

monochrome

1. Select a model

Serial code	Color	W, max	lm, max
IRF24-1	white	27	2350

2. Create an article number

Serial code	Color	Optics	Controls*	Supply voltage**
IRF24-1	W30 W40 W50	15 34 40x20 45 80	D	L24

* D – protocol PWM

**L24 – supply voltage 24 V DC

multichannel

1. Select a model

Serial code	Color	W, max	lm, max
IRF24-1	RGB	28	950

2. Create an article number

Serial code	Color	Optics	Controls*	Supply voltage**
IRF24-1	RGB	3x180	C	L24

* C – protocol DMX-512

**L24 – supply voltage 24 V DC