

# KUB

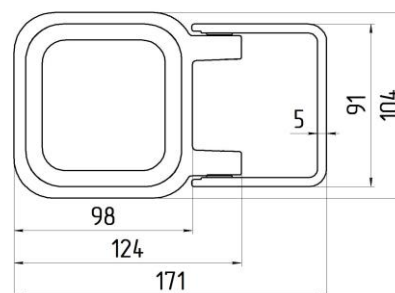
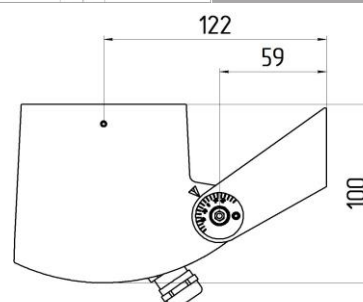
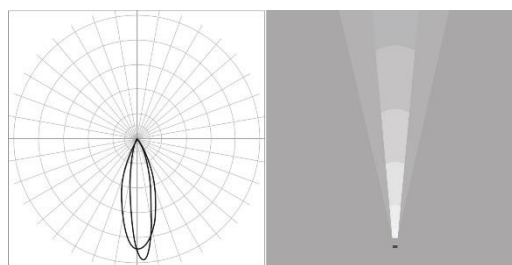
## IMF8-1 W50-10a30H(011)

### Application

KUB low power luminaire is designed primarily for accent lighting of facade elements.

The compact dimensions make it possible to place KUB on columns, visors, in narrow inter-window spaces, on decorative details. A unique adjustment system allows you to quickly mount and adjust the luminaire using a regular hexagon screwdriver.

<b>Light source</b>	Nichia (Japan)
<b>Light color</b>	White 5000 K
<b>CRI</b>	≥ 80
<b>Luminous flux</b>	820 lm
<b>Luminous Efficiency</b>	82 lm/W
<b>Optics</b>	10a30°
<b>Pulsation coefficient</b>	5%
<b>Voltage</b>	AC 230 V, (50±1) Hz
<b>Power input</b>	10 W
<b>Power factor Cos</b>	0,9
<b>Control</b>	No
<b>Electrical class</b>	I (first)
<b>Operating temperature:</b> -for standard edition	-40 °C...+45 °C
-for tropic edition	-40 °C...+55 °C
<b>Lifespan</b>	Not less than 50 000 hours
<b>Warranty</b>	3-5 years
<b>Weight</b>	1,3 kg
<b>Dimensions</b>	171x104x100 mm (with bracket)
<b>Materials</b>	housing, bracket: aluminum alloy; mounts: stainless steel; silicate tempered glass
<b>Mounting</b>	on an adjustable bracket
<b>Accessories</b>	shield
<b>Customization</b>	diffuser glass; internal honeycomb louvre; customized LEDs color combinations; control/power cables of any length up to 3 m; housing and accessories painting in any RAL color; IP68 connectors



intiled.com