

RAY
INTILED



RAY SPECIFIC DESCRIPTION

I N T I L E D

RAY Series – smart design in basic mid-power projector: maximum functionality placed into minimal dimensions. RAY luminaire is designed for flood and accent architectural lighting. Significant improvements of every detail, reliable components and excellent lighting performance made RAY an irreplaceable tool for a lighting designer



RAY SPECIFIC DESCRIPTION

I N T I L E D

- Single color temperature guarantees
- Thoughtful hexagonal LED placement ensures optimal color mixing for pure, rich colors with minimized unwanted light effects



RAY SPECIFIC DESCRIPTION

I N T I L E D

- A precise LED placement and a **highly efficient optics** ensures optimal lighting effect for each specific pupose, without glare
- **Tempered impact resistant glass.** Reliably protects the components from external influences and maintains the light transmittance over time
- **New level of control**
Smart fixture with RDM technology.
A constant monitoring of the luminaire status and the lighting system feedback



Designated mounting locations for accessories

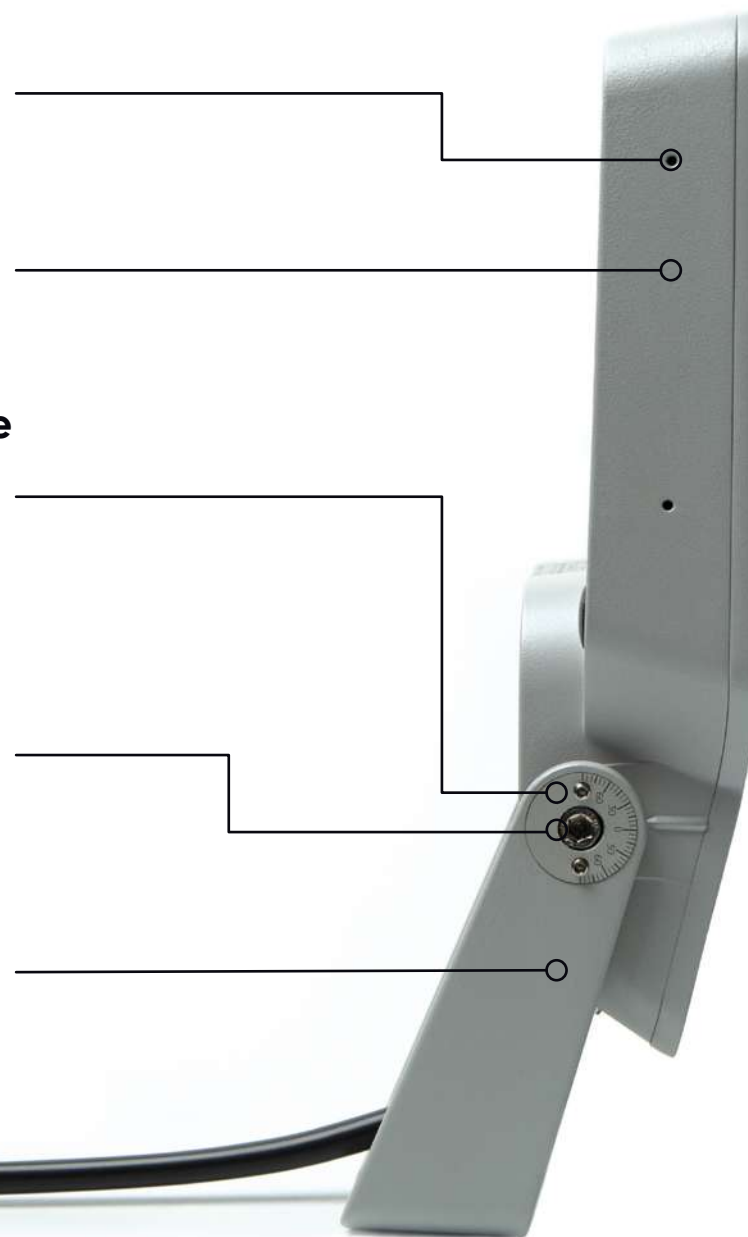
Smart design. A special arrangement of the components provides an excellent heat dissipation and increases the service life and reliability of the luminaire

Bracket as an integral part of the luminaire

The beveled shape of the bracket allows the luminaire to be mounted without removing the bracket from the body

Double fixation bracket. Nord-Lock® washer secures the threaded parts and effectively prevents their loosening over time

A scale with a rotation angle simplifies the aiming and installation in the exact specified position



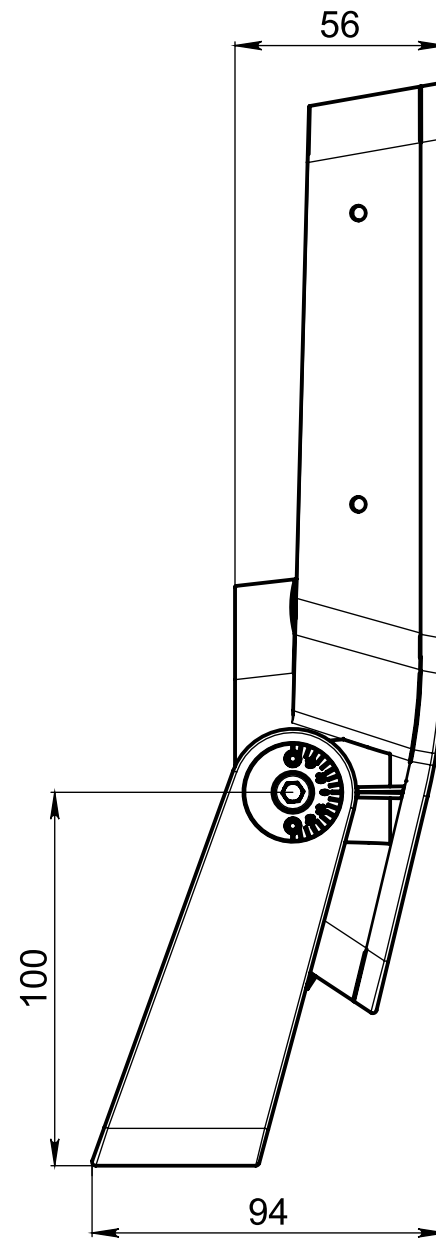
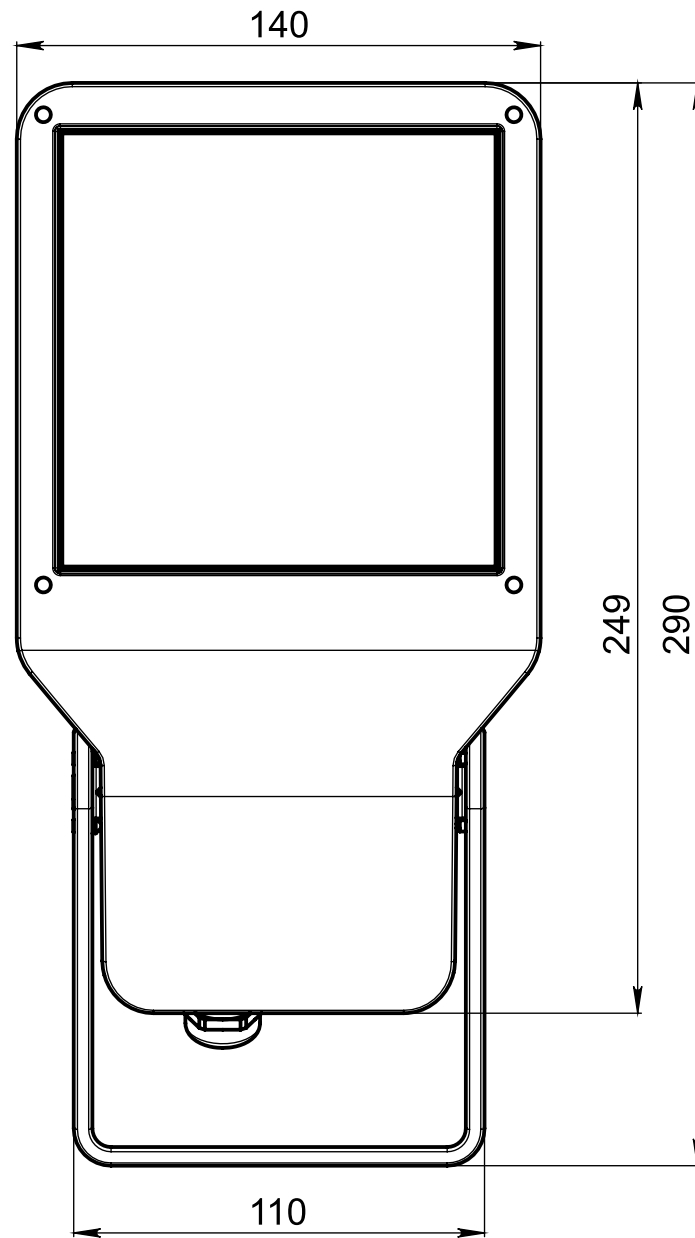
RAY MAIN TECHNICAL FEATURES

I N T I L E D

| | |
|-----------------------|---|
| Light source | Nichia (Japan), Cree (USA) LEDs |
| Light color | white (3000K, 4000K, 5000K), blue, green, red, amber, RGBW |
| Optics | 10°, 10x30°, 10x50°, 30°, 35x105°, 65°, 85° |
| Luminous flux | 810 - 2050 lm |
| Wattage | 17 - 26 W |
| Voltage | 90-264 V AC |
| Protection class | IP65 |
| Operating temperature | tropical edition: -40°C ... +55°C standard edition: -40°C ... +45°C |
| Lifespan | not less than 50000 hours |
| Control | DMX-512, DMX-512 + RDM |
| Dimensions | 290x140x94 mm (with bracket) |
| Weight | 2 kg |
| Mounting | on an adjustable bracket, with the scale for precise installation and Nord-Lock® fixing system |
| Customization | diffuser glass; internal honeycomb louvre; customized LEDs color combinations; housing and accessories painting in any RAL color; IP68 connectors; control/power cables of any length up to 3 m |

RAY DIMENSIONAL DRAWING

I N T I L E D



Optics

Customization



10° narrow
round-symmetrical



10x50° narrow oval



60° wide
round-symmetrical

- internal honeycomb louvre
- glass diffuser
- shutter
- external louvre



10a30° narrow oval
asymmetrical



30° medium
round-symmetrical



35x105° medium
oval

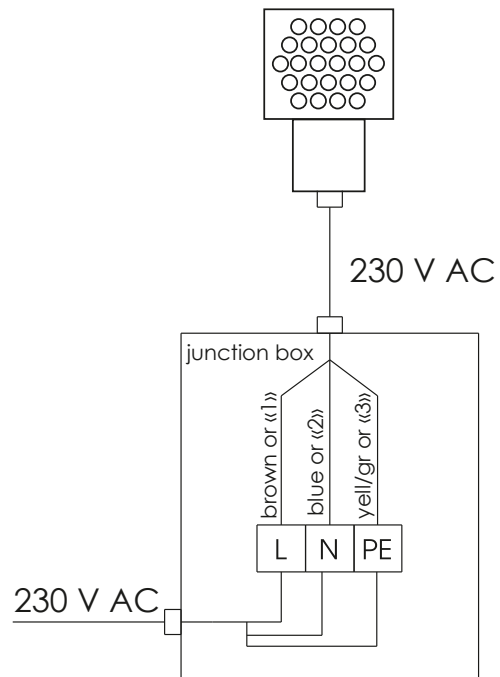


80° extra wide
round-symmetrical

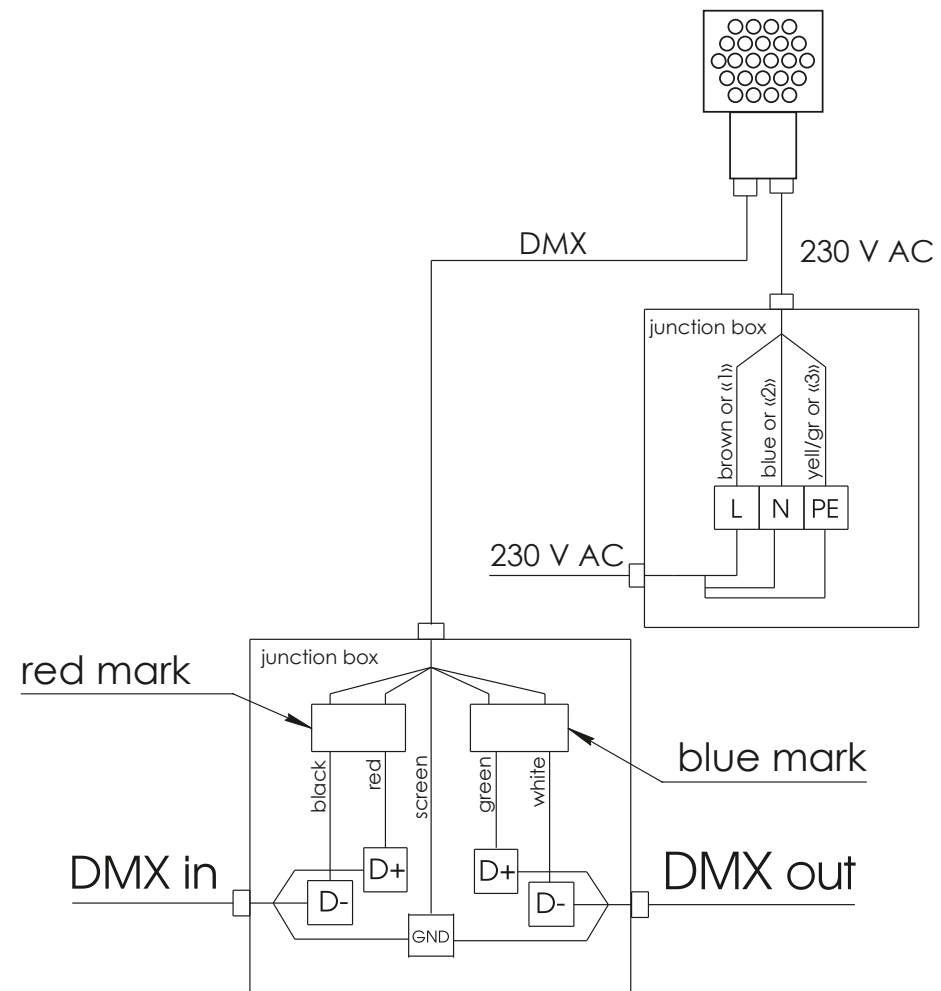
RAY CONNECTIONS DIAGRAM

I N T I L E D

RAY white color luminaire connections diagram



RAY color dynamic luminaire connections diagram



PORTFOLIO

INTILED

General Tutolmin's house
Saint-Petersburg



PORTFOLIO

Kant Island
Kaliningrad



INTILED



PORTFOLIO

INTILED

Perm Youth Theatre
Perm





more information available
on the website