

WALL

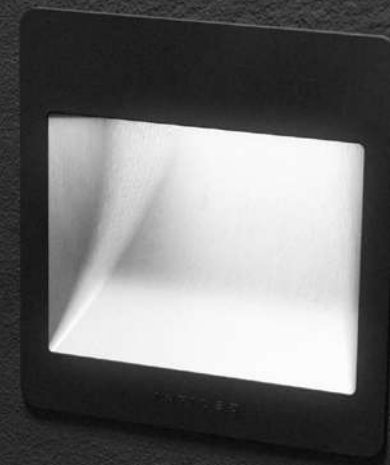
i am the wall, i am the bollard

INTILED

about the family

INTILED
WALL

A traditional recessed luminaire featuring
an expanded reflective area to softly
illuminate the space



application

INTILED
WALL

recessed



integration

bollard



*integration
into a bollard body*

surface



*integration into the housing
for surface mounting*

application

INTILED
WALL



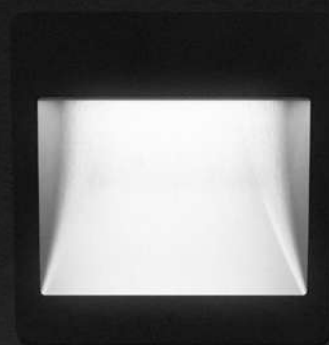
application

INTILED
WALL



lighting effect

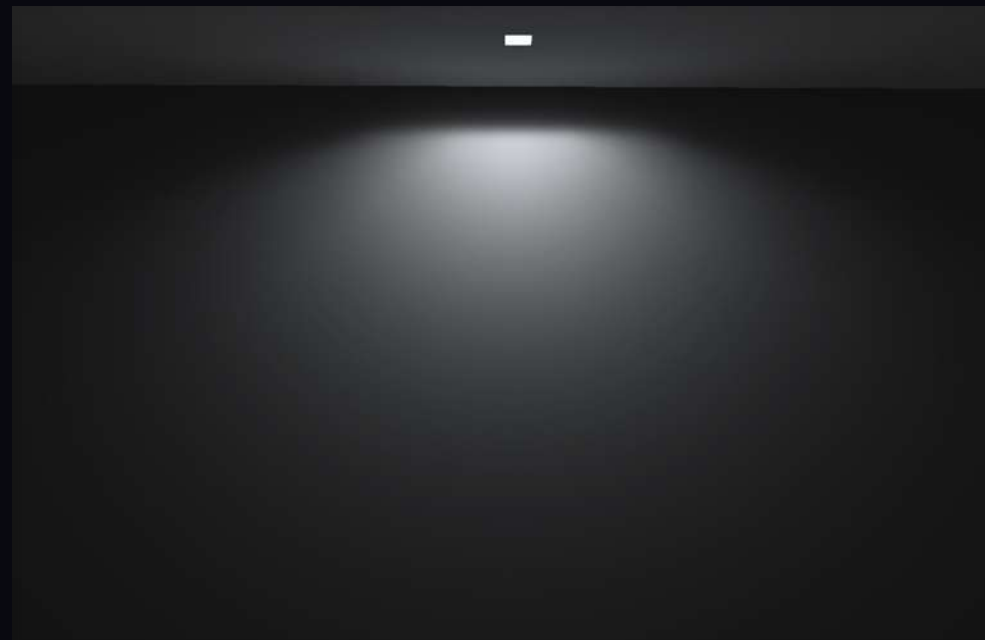
INTILED
WALL



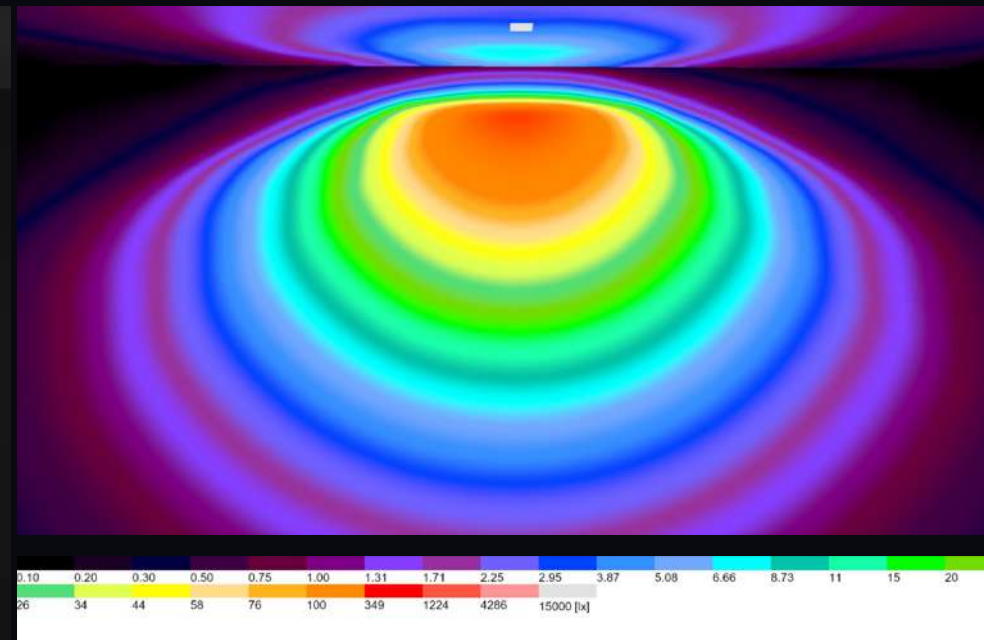
optics 50a100°

INTILED
WALL

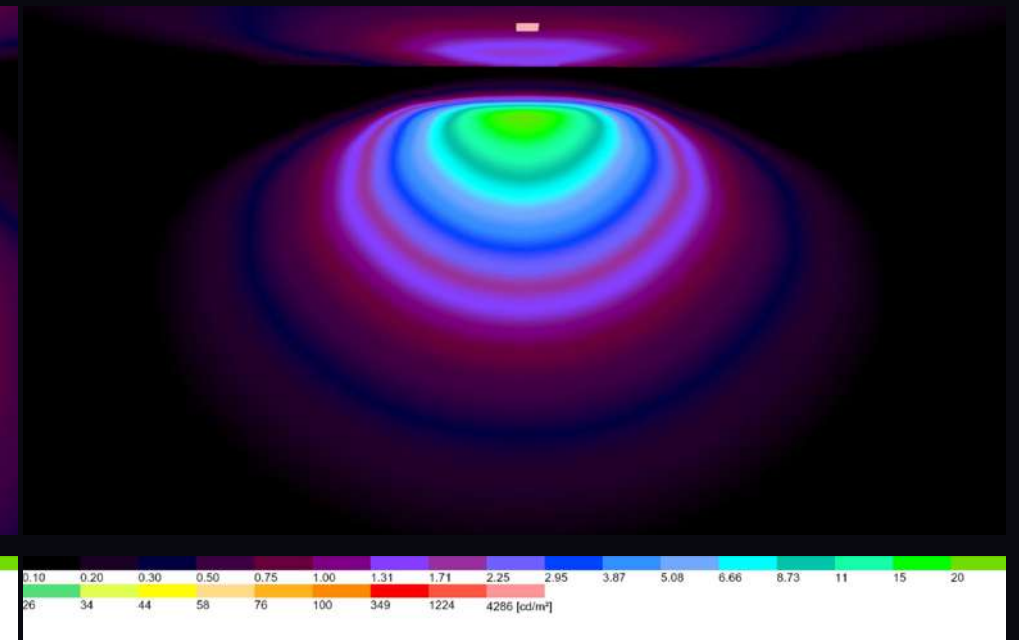
lighting effect



illumination



brightness



specific features

INTILED
WALL

The fastening components
are discreetly hidden behind
the front panel

Maximum visual comfort for observers
from any angle due to the concealed
light source



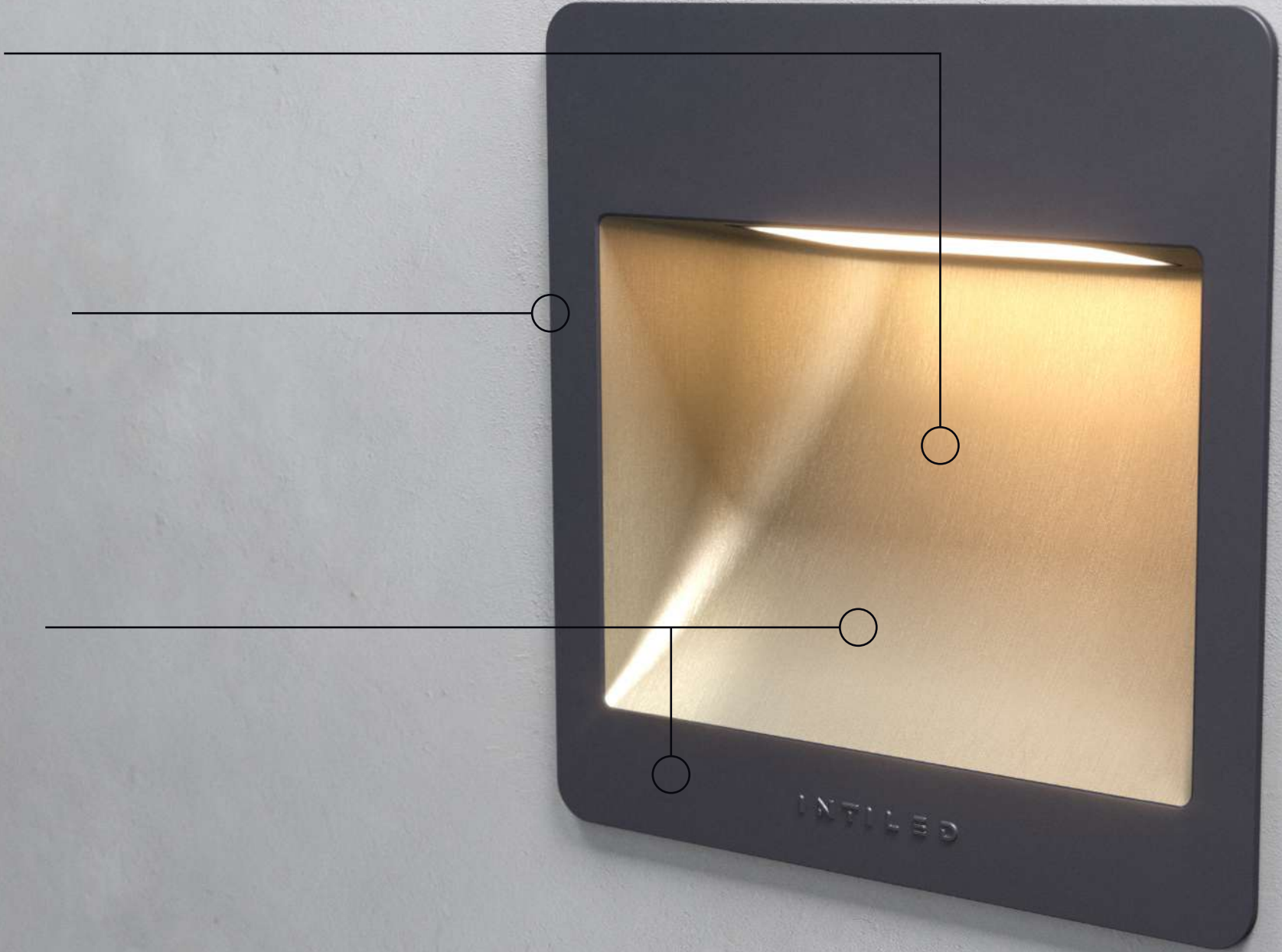
specific features

INTILED
WALL

Increased reflective area provides a uniquely soft floodlight onto the surface

The luminaire geometry, its shape and proportions are balanced and aesthetically pleasing





A light fixture as a complete decorative element: the front panel and reflective surface can be painted in various colors like bronze, and more



characteristics

INTILED
WALL

   
2700 K 3000 K 4000 K 5000 K

   
Red Green Blue Amber



50x100°

Wattage, W

13

luminous flux, lm

360

Voltage

230 V AC

IP65 IK09



Controls, protocols

HeT

Customization

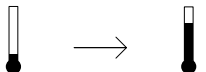
controls: DALI
voltage: 24, 48 V DC
optics, light color, wattage
and luminous flux customized
for a specific project

Accessories

bollard

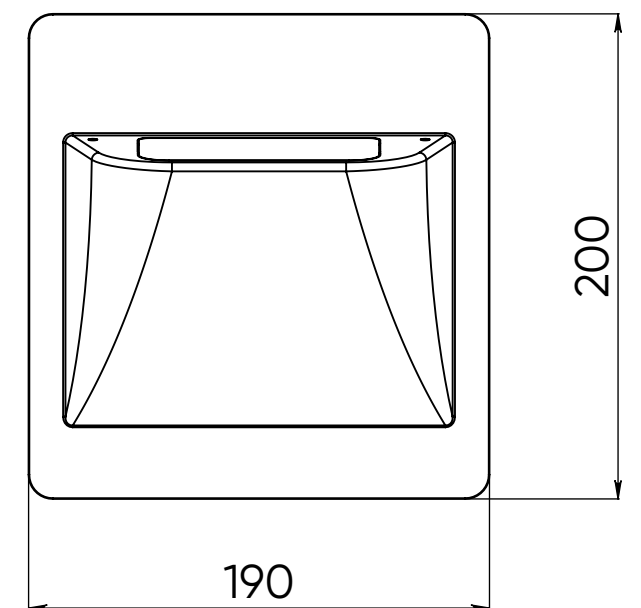
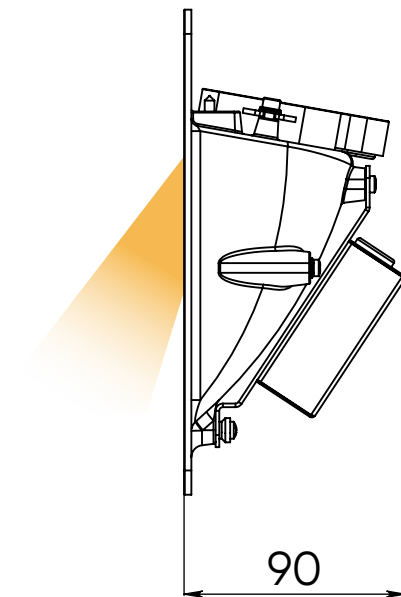
Lifespan

not less than 50 000 hours


- 40°C + 55°C

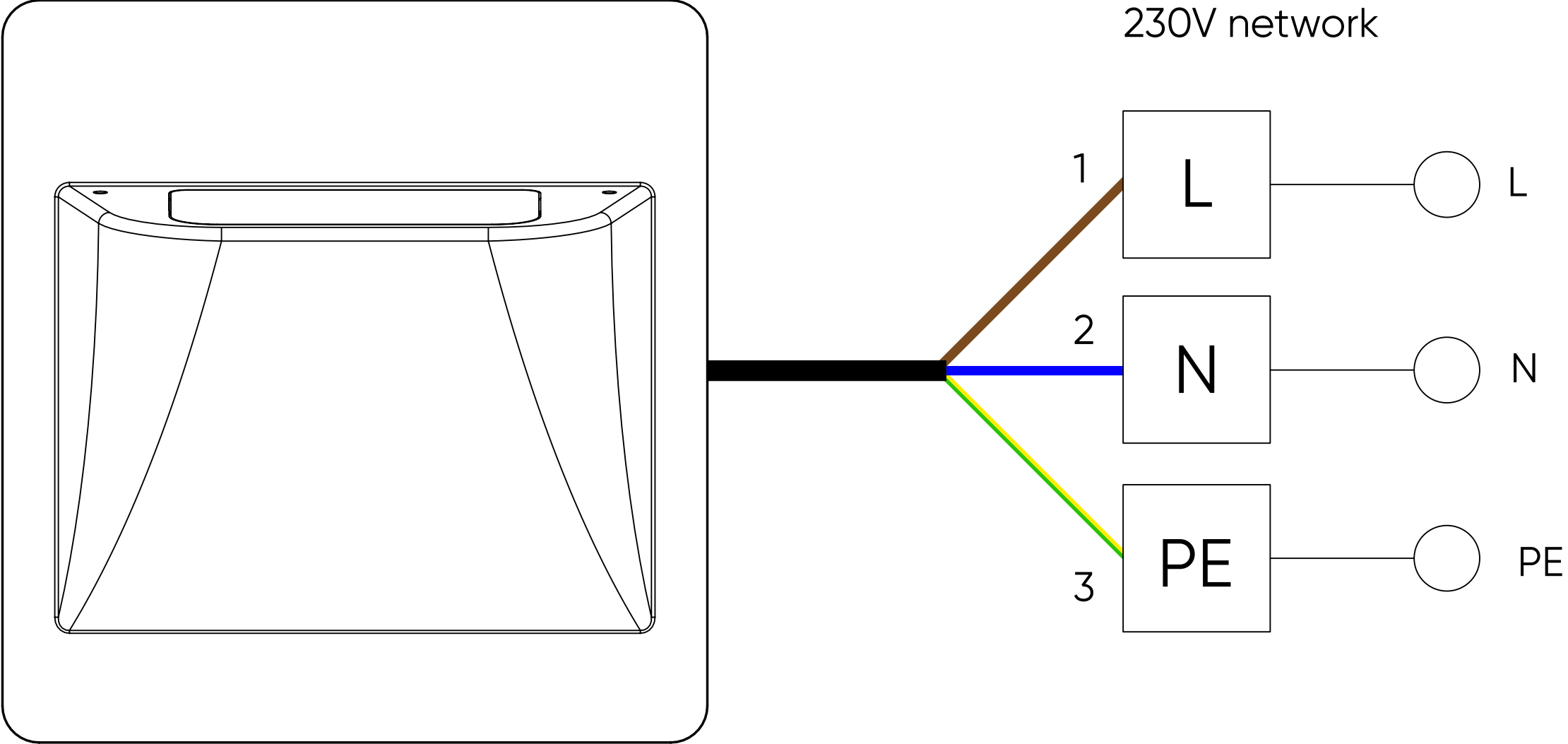
Weight, kg

1



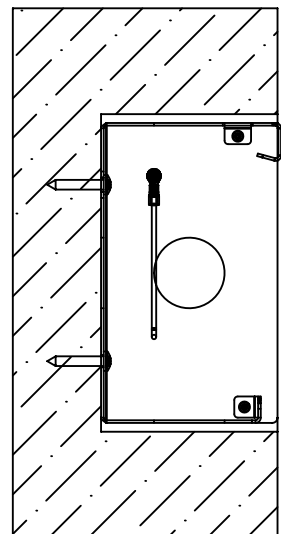
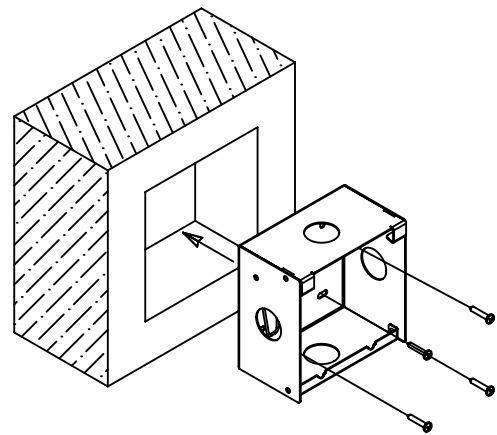
connection

INTILED
WALL



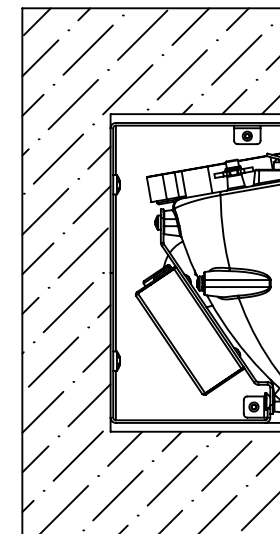
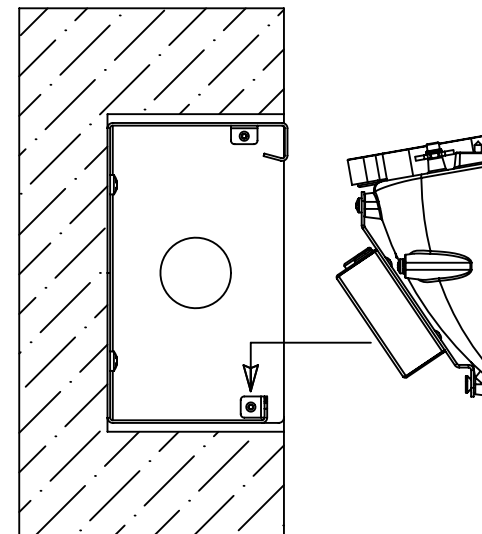
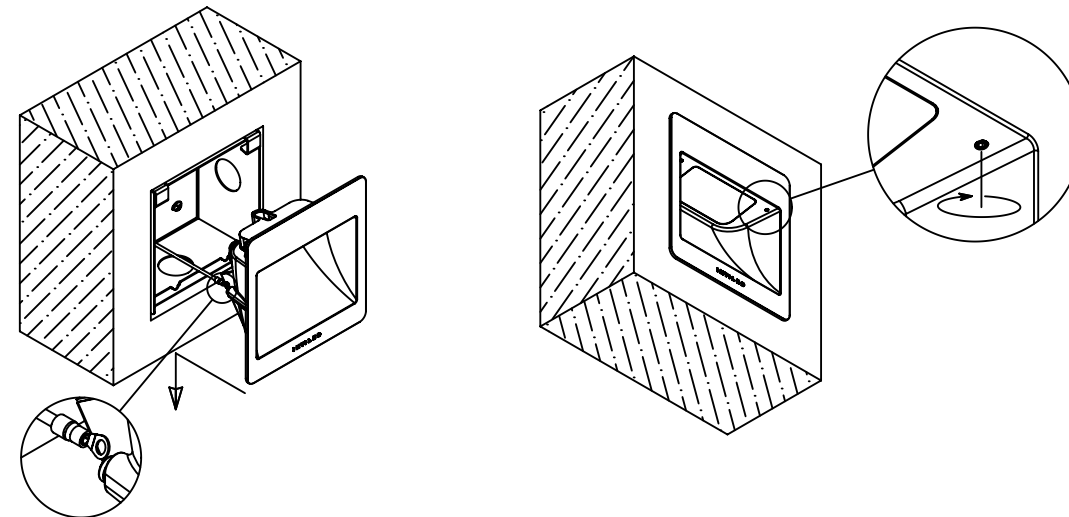
Step 1

Installing a mounting box in a niche



Step 2

Installing the luminaire into the mounting box



INTILED

Light. Done right.